

<b>Business Unit:</b> ONGOV	<b>Requester:</b> PREMORG	<b>Status:</b> Pending Approval
<b>Requisition:</b> 0000031017	<b>Requested By:</b> Erin Morga	<b>Currency:</b> USD
<b>Requisition Name:</b> Lakeview Folding Stage Fence	<b>Entered Date:</b> 1/21/16	<b>Requisition Total:</b> 10,400.00
<b>Line:</b> 1	<b>Item Description:</b> Main Stage Security Fence. Furnish aluminum hinged fence units per detail of pick up and installation by others. Note: Exclude Pin Locks	<b>Quantity:</b> 1.0000
	<b>UOM:</b> EA	<b>Price:</b> 10,400.00
		<b>Line Total:</b> 10,400.00

**Line Status:** Pending

**Line Comments:**  
Please see attached quote

<b>Ship Line:</b> 1	<b>Ship To:</b> PR001	<b>Address:</b>	<b>Shipping Quantity:</b> 1.0000
<b>Attention:</b> Erin Morga	<b>Due Date:</b>	PARKS & RECREATION Main Office	<b>Shipping Total:</b> 10,400.00
		106 Lake Drive Liverpool NY 13088 United States	

Dist	Status	Location	Qty	PCT	Amount	GL Unit	Account	Altacct
1	Open	PR001	1.0000	100.00	10,400.00	ONGOV	673550	000

Dept	Fund	Class
690000000	40021	7197
0		

Open QTY	PC BU	Project	Activity	Open Amt
1.0000	ONGOV	522722001	000000000000000001	0.000

GL Base Amount	Currency	Sequence
10,400.00	USD	0

# Quote

**Raulli & Sons, Inc. Ironworks**

DATE: 1-15-16

660 Burnet Ave  
 Syracuse, NY 13203  
 Phone (315) 474-1370  
 Fax (315) 478-4030  
 email: don@raulliiron.com



TO  
 Onondaga County Parks  
 Attn: David Fergot

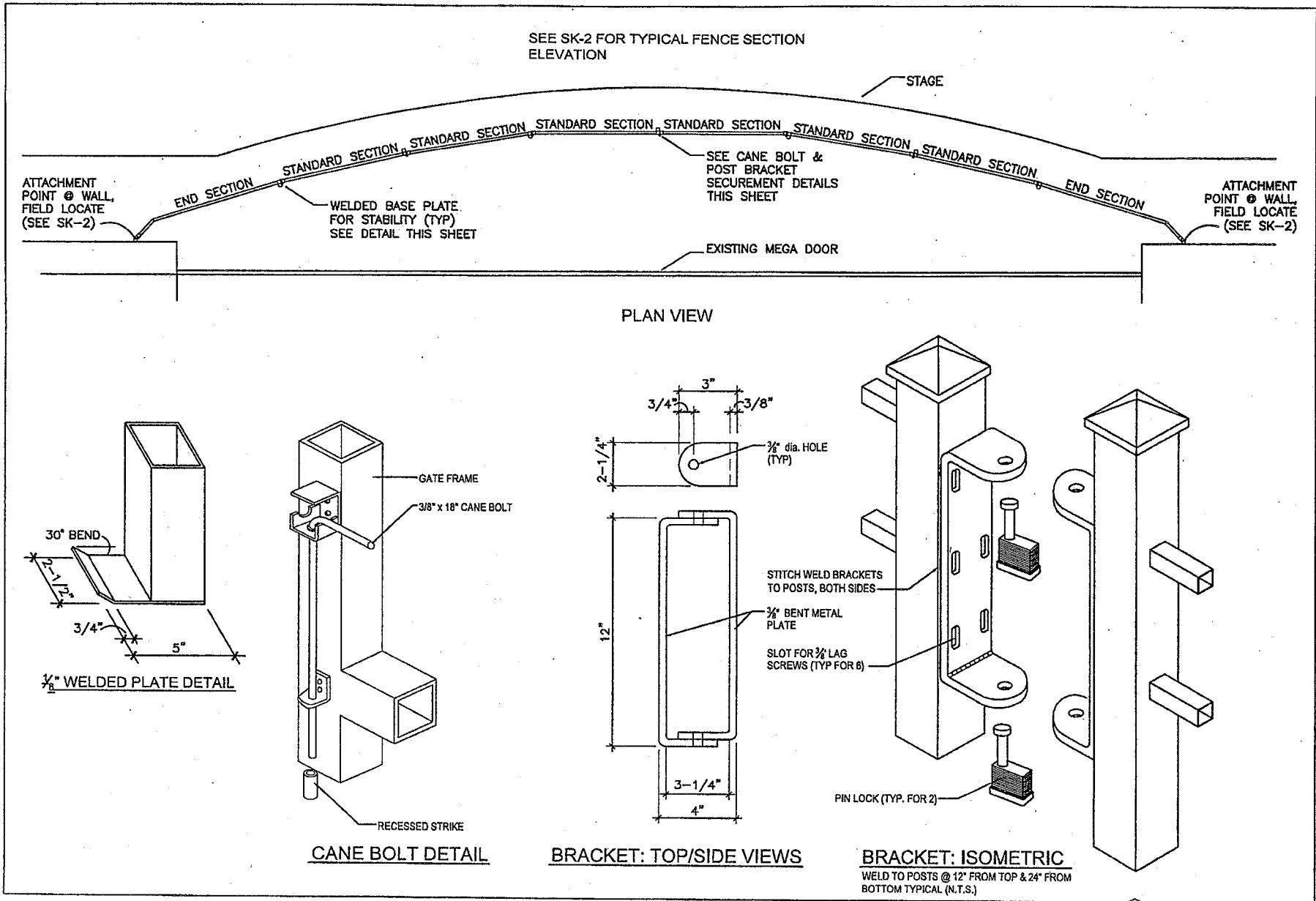
SALESPERSON	JOB	PAYMENT TERMS	DUE DATE
Don Corbacio Jr	Main Stage Security Fence Lakeview Amphitheater		

	DESCRIPTION	UNIT PRICE	LINE TOTAL
60 LF +-	Furnish aluminum hinged fence units per detail ofr pick up and installation by others		\$10,400.00
	Note: Exclude Pin Locks		
		SUB TOTAL	
		8% TAX	Exempt
		TOTAL	\$10,400.00

QUOTATION PREPARED BY:  
 PLEASE CALL WITH ANY QUESTIONS OR CONCERNS

THANK YOU FOR YOUR BUSINESS!

— NATE



SEE SK-2 FOR TYPICAL FENCE SECTION ELEVATION

STAGE

ATTACHMENT POINT @ WALL, FIELD LOCATE (SEE SK-2)

END SECTION

STANDARD SECTION  
WELDED BASE PLATE FOR STABILITY (TYP) SEE DETAIL THIS SHEET

SEE CANE BOLT & POST BRACKET SECUREMENT DETAILS THIS SHEET

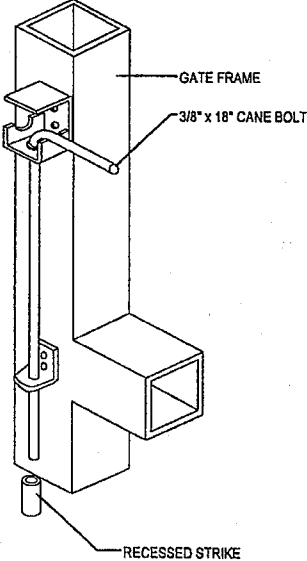
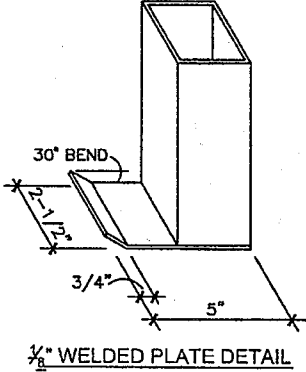
STANDARD SECTION

END SECTION

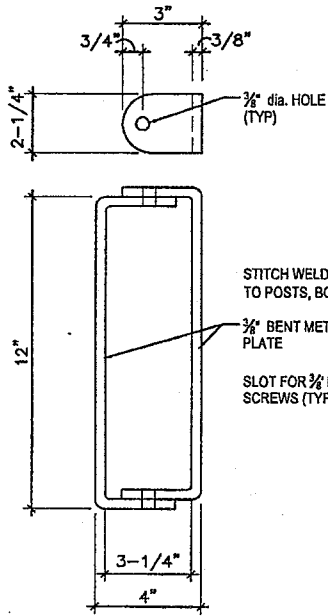
ATTACHMENT POINT @ WALL, FIELD LOCATE (SEE SK-2)

EXISTING MEGA DOOR

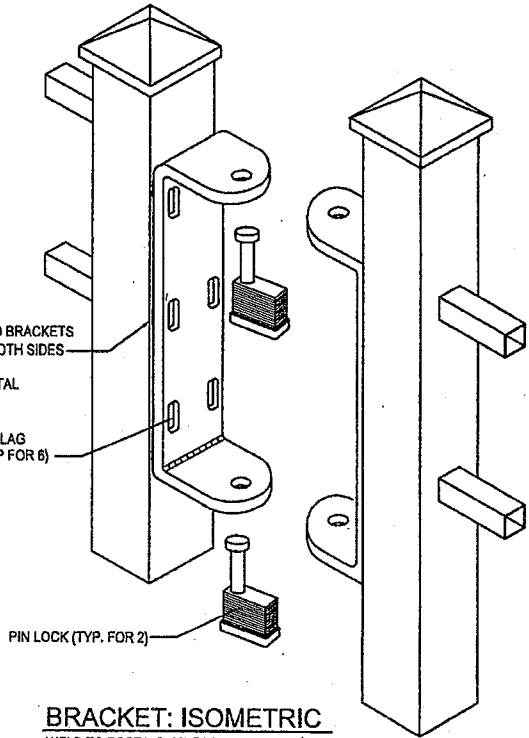
PLAN VIEW



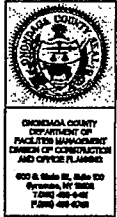
CANE BOLT DETAIL



BRACKET: TOP/SIDE VIEWS



BRACKET: ISOMETRIC  
WELD TO POSTS @ 12" FROM TOP & 24" FROM BOTTOM TYPICAL (N.T.S.)



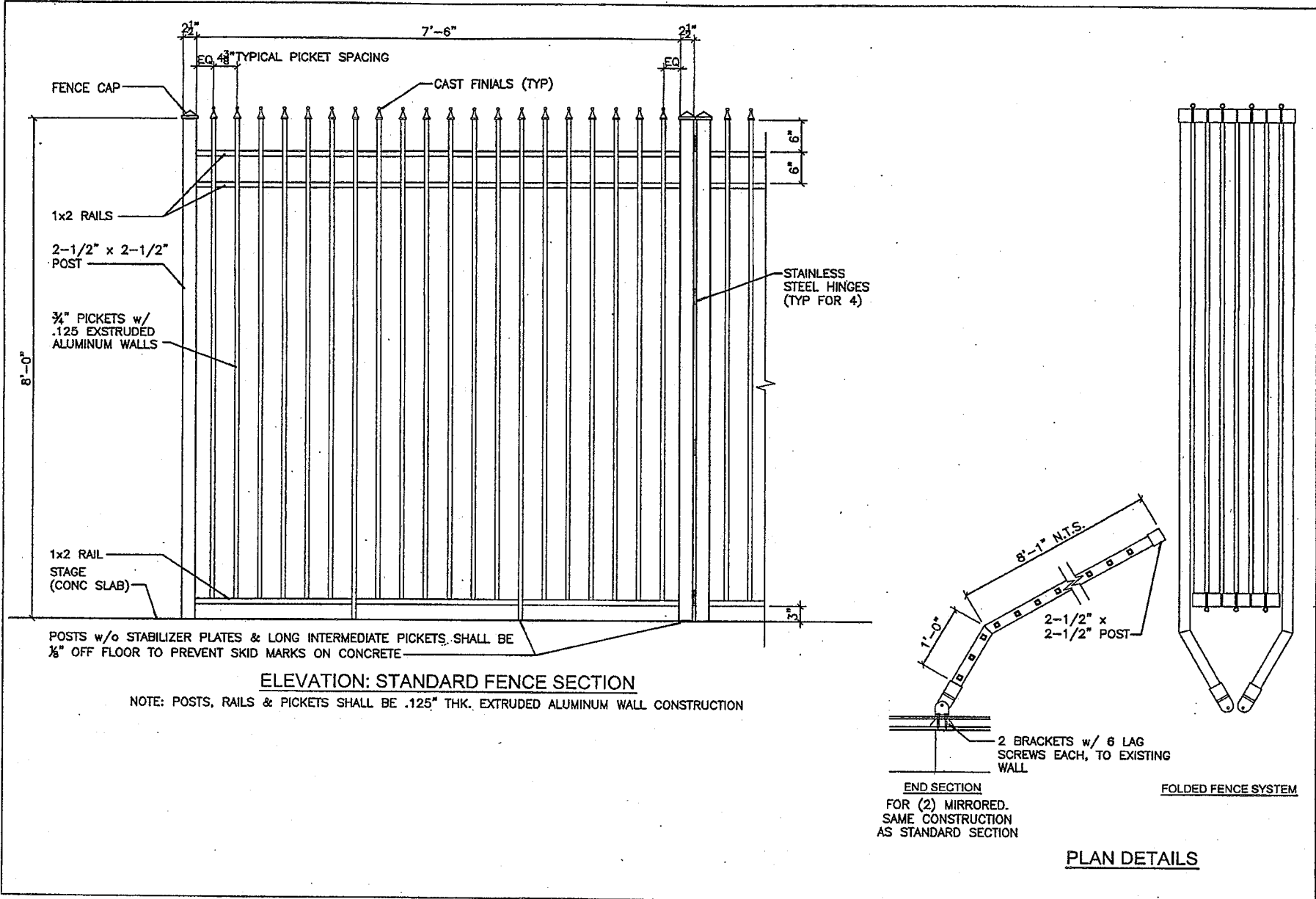
ONONDAGA COUNTY  
DEPARTMENT OF FACILITIES MANAGEMENT  
DIVISION OF CONSTRUCTION  
AND OFFICE OF PLANNING  
600 S. State St., Suite 110  
Orangetown, NY 13026  
716-682-6100  
716-682-6101

LAKEVIEW FOLDING STAGE FENCE

PLAN and DETAILS

Drawn by: HAL  
Checked by: 11/20/15  
Date: AS NOTED

SK-1



**LAKEVIEW FOLDING STAGE FENCE**

**ELEVATION and DETAILS**

Drawn by: HAL  
 Date: 11/20/15  
 Scale: NO SCALE

**SK-2**